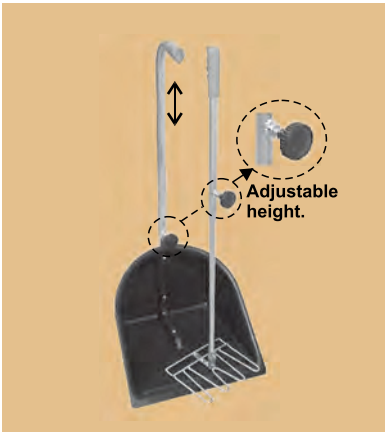


## STABLE ACCESSORIES



### NO.890

#### STABLE MATE & FORK

2 products. One is the metal fork the other is plastic shovel with metal handle are adjustable 83~96cm long for shovel 83~105cm of mate fork in the height adjustable.  
10 set/Box



### NO.862

#### STABLE MATE

Handle:80cm  
Color:black(4)  
20/Box



### NO.863

#### STABLE MATE AND FORK

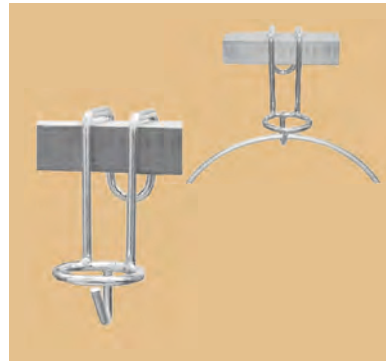
10 set/Box



### NO.861

#### MATE FORK

Handle:90cm  
20/Box



### NO.2276

#### PORTABLE BUCKET HOLDER

Heavy steel bucket holder insures that water or feed buckets will stay in place. Fits over any metal or wood stall. 15cm(6") long  
100/Box



### NO.2307

#### ATTACHABLE FENCE HOOK

No screw or nails fits right on top of fence. Great for nater buckets or whatever you wish to hang black plastic coated steel construction  
100/Box



### NO.2252

#### MULTI USE BUCKET HOOK

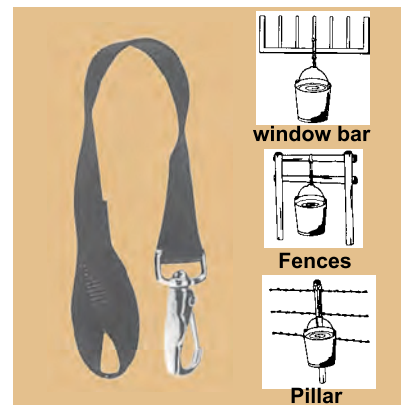
200/Box



### NO.2352

#### BUCKET STRAP

Heavy-duty nylon bucket strap with loop and trigger snap width:19mm(3/4")  
Color:blue(2), black(4)  
100/Box



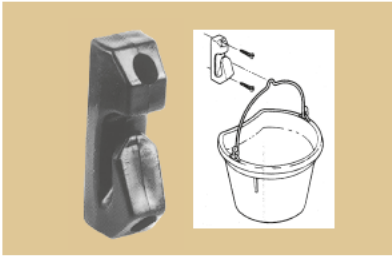
### NO.2351

#### BUCKET STRAP

You can hang it up anywhere  
Length:17"(43cm)  
Width:1"(2.5cm)  
Color:black(4)  
50/Box

It can be hanged on the window bar, fences, pillar, etc.

# STABLE ACCESSORIES



**NO.869  
PLASTIC HANDY HANGERS**  
Designed to allow easy bucket installation but has a retaining featur which discourages your horse from knocking the bucket out durable plastic material and high strength less screw.  
Color:black(4) 200/Box



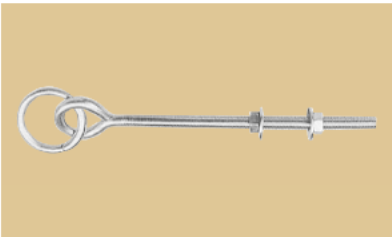
**NO.2367  
SAFETY WALL BRACKET  
FLATBACK**  
Suitable for other buckets of the same type, made of steel black coated.  
Color:black(4) 50/Box



**NO.2316  
SCREW EYE**  
500/Box



**NO.2317  
SCREW EYE  
WITH RING**  
250/Box



**NO.2319  
LONG THREADED  
TIE RING**  
Made of heavily constructed galvanized steel. Bolts through 11-1/2"(29cm).  
Ideal for brick walls. All nuts and washers included.  
50/Box



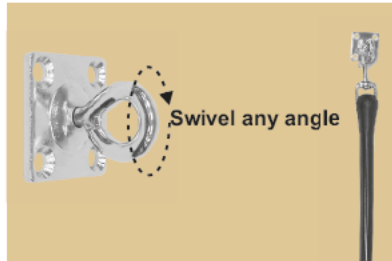
**NO.2368  
GENERAL PURPOSE HOOKS**  
Metal hooks that will keep your valuable bridles, reins, side reins, etc.  
Color:black(4) 5pcs in one bag=1set 50 set/Box



**NO.2312  
TIE RING**  
250/Box



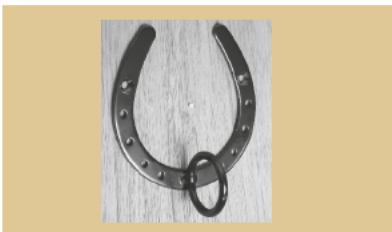
**NO.2343  
SWIVEL PLATE TIE SNAP**  
Multi-purpose hook is great for buckets or cross ties. Very durable.  
Size:50x50mm(2"x2") 200/Box



**NO.2354  
SWIVEL PLATE TIE**  
Multi-purpose hook is great for buckets or cross ties. Very durable.  
Size:50x50mm(2"x2") 200/Box



**NO.2360  
HORSESHOE CROSS TIE  
MOUNTING PLATE**  
horseshoe, welded onto 7.5cm X 7.5cm (3"x3") steel plate, weight:320g(1/2 LB) durable black coated.  
100/Box



**NO.2365  
HORSESHOE CROSS TIE  
HOLDER**  
Size:L12cm(4-3/4")xW12cm(4-3/4")  
Color:black(4) 100/Box



**NO.2361  
HORSE SHOE BRIDLE/  
TACK HOOK**  
Steel, special coated, less screw  
Size:L10cm(4")xW8.3cm(3-1/4")  
Weight:150g  
Color:black(4) 100/Box



**NO.2305  
GATE LATCH**  
Built to stand up to incredible abuse can be either surface or corner mounted for use on swinging doors not suitable for sliding doors.  
100/Box